

Flowtech MID Flowmeters



Flowtech RVS316 MID flowmeter DN150



Flowtech waver compact MID flowmeter DN80

Pipe connection:	DIN Flange
Size:	DN10 – DN500
Electrodes:	316L
Liner:	PTFE
Accuracy:	± 1% > 0,5m/sec
Factory pulse calibrated at:	0,1 – 0,5 – 1 – 2 – 5 m/s
Repeatability:	± 0,5%
Flow range:	0,05 m/s 10 m/s
Ambient:	-15°C / +50°C
Medium:	+80 °C
Medium pressure:	25 bar (DN10 – DN80) 10 bar (DN100 – DN500)
Minimum conductivity:	30 µs / cm
Output:	4-20mA / PULSE (passive)
Power supply:	230VAC 50 Hz
Empty pipe detection	Yes
Low flow signal cut off	Yes
Protection rate:	IP67 (optional IP68)
Separate electronics:	Optional

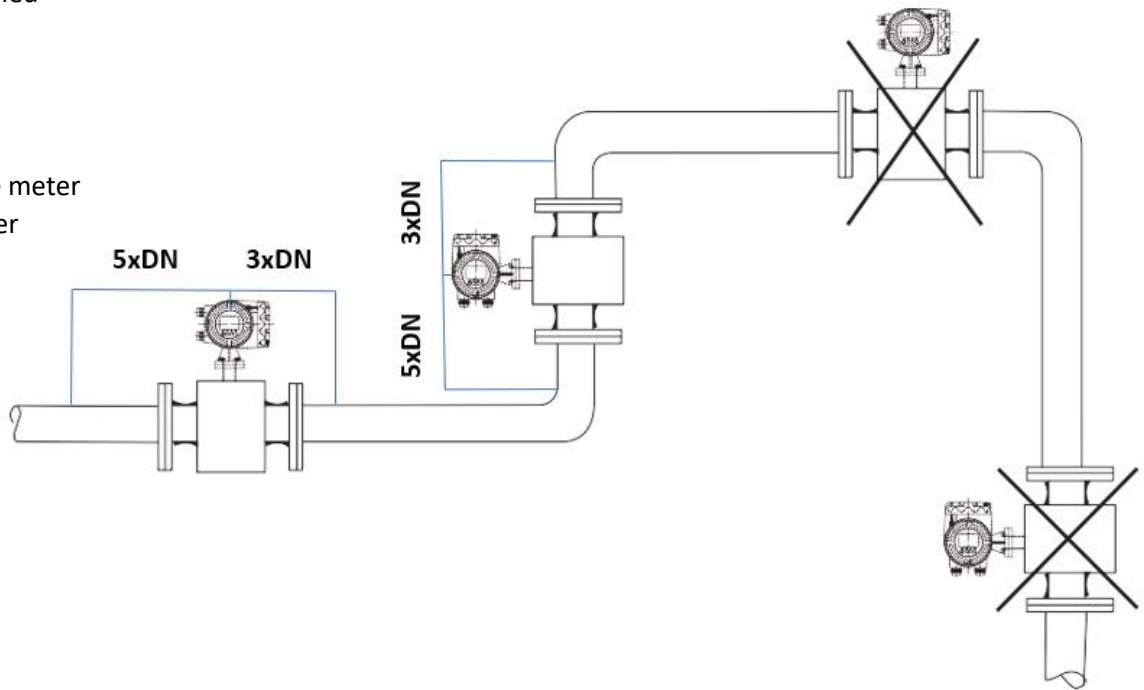
Pipe connection:	Waver for DIN Flange
Size:	DN10 – DN100
Electrodes:	316L
Liner:	PBT
Accuracy:	± 1% > 0,5m/sec
Factory pulse calibrated at:	0,1 – 0,5 – 1 – 2 – 5 m/s
Repeatability:	± 0,5%
Flow range:	0,05 m/s 10 m/s
Ambient:	-15°C / +50°C
Medium:	+65 °C
Medium pressure:	10 bar (DN10 – DN100)
Minimum conductivity:	30 µs / cm
Output:	4-20mA / PULSE (passive)
Power supply:	230VAC 50 Hz
Empty pipe detection	Yes
Low flow signal cut off	Yes
Protection rate:	IP67
Separate electronics:	Optional

Flowtech is distributed by TEC42

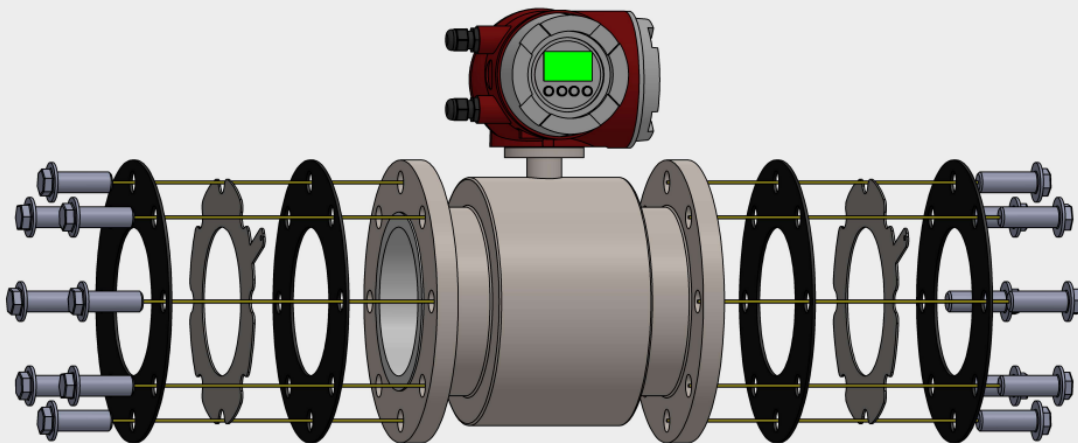
Flowtech MID Flowmeters

Installation instructions

- Not in highest point!
- Not in downward flow!
- Sensor tube 100% filled
- Check flow direction
- Avoid empty pipe
- Avoid vibrations
- Avoid vacuum
- 5x DN in front of the meter
- 3x DN after the meter



Use grounding plates when installed in plastic pipes



Flowtech DN150 SS316 MID Flowmeter + Flowtech MID Ground plates DN150 + centering gaskets

Flowtech is distributed by TEC42